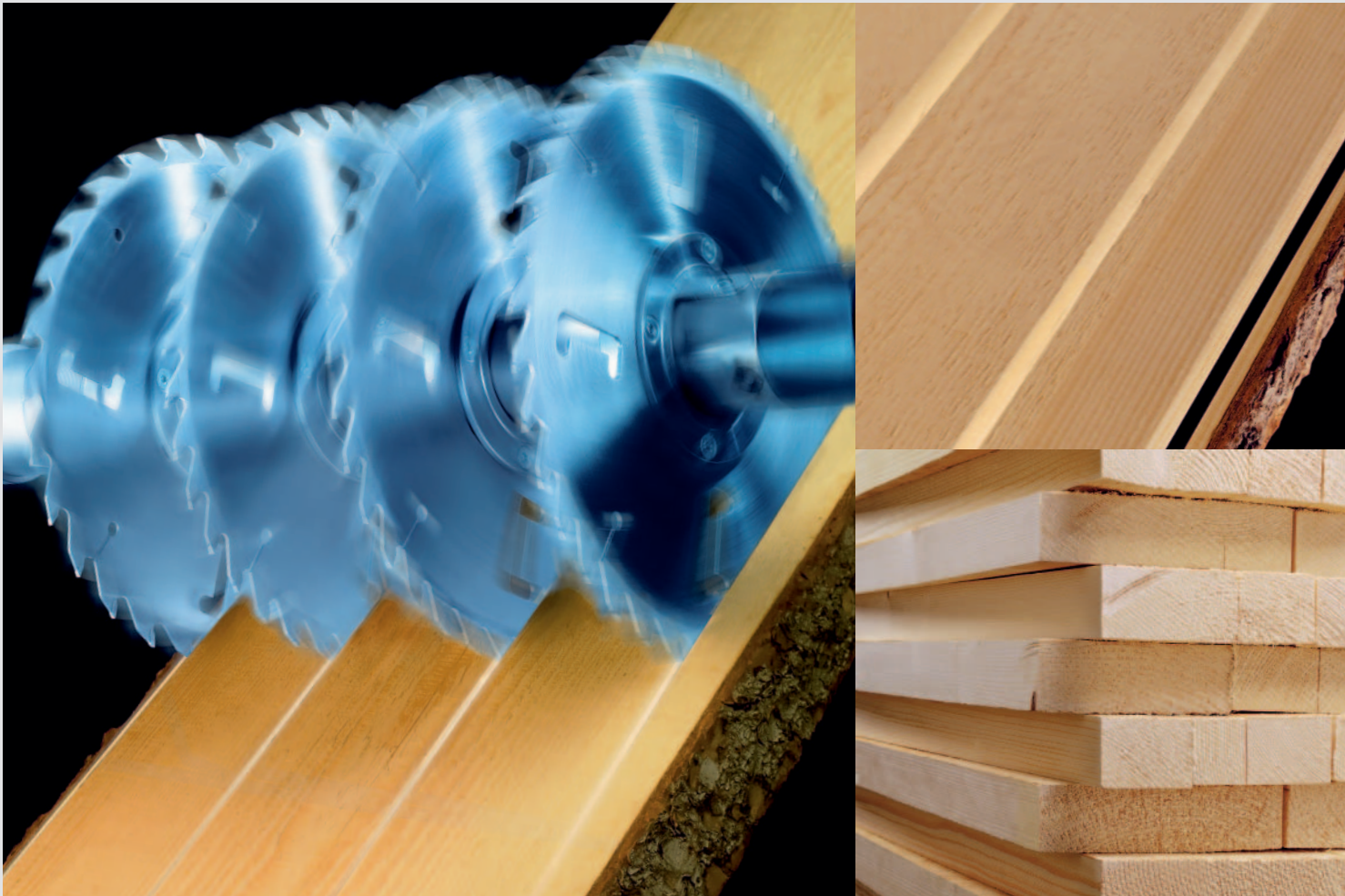


RAIMANN ProfiRip Series

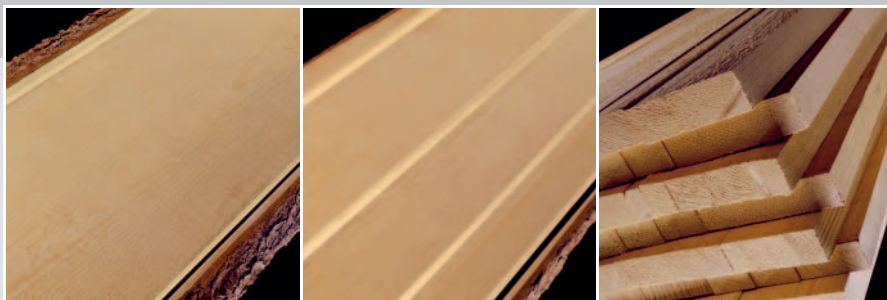
Gang ripsaws and Optimizing ripsaws
for maximum yield



RAIMANN presents: High performance rip saws for every application

Ripping to width is of key importance in solid woodworking because rip optimizing means minimizing costs. Whether producing moulder blanks or planed lumber or ripping for glued-up panels, ProfiRip stands for high productivity and yield. User-friendly, minimal change-overs, fastest return on investment. ProfiRip is available as a multi-rip saw or as an optimizing rip saw with movable blade technology. The versatile application possibilities make ProfiRip saws ideal for any facility – from interior trim to furniture manufacturers, from solid wood panels to saw mills.





To provide more flexibility and intelligent system solutions is our main goal. We deliver the right concepts. Our system components assure you reliable, continuous high performance. In addition to our standard machines, we deliver custom-made solutions for every performance class, from small to large. Your ProfiRip can easily be integrated into a high performance system.



ProfiRip

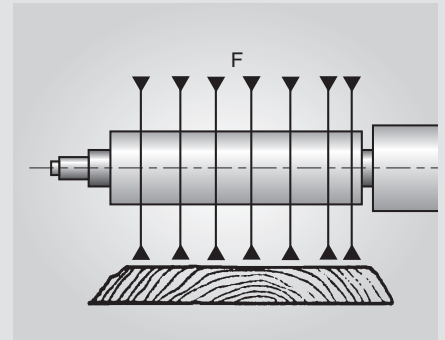
With ProfiRip you are a cut above the competition:

- high capacity
 - wide range of applications
 - minimal set-up times
 - versatile and flexible
 - excellent cutting quality
 - glue joint ripping
- highly efficient
 - intelligent technology
 - durable even in extreme working environments
 - very user-friendly
 - maximum operator safety
 - can be integrated in automated systems



RAIMANN moving blade technology: The ideal arbor set-up for each and every board

With RAIMANN movable blades you can adjust your saw-arbor to best suit each incoming board. RAIMANN offers blade positioning speed up to 300 mm/sec. With up to 6 movable blades, you can get the most out of your raw material and save money. Defects such as knots or splits can be easily isolated. With RAIMANN superior cutting quality, material from the rip saw can go directly to be glued. This means fewer rejected pieces, less processing, faster production – more profit!

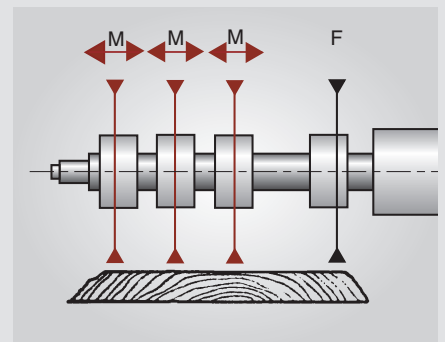
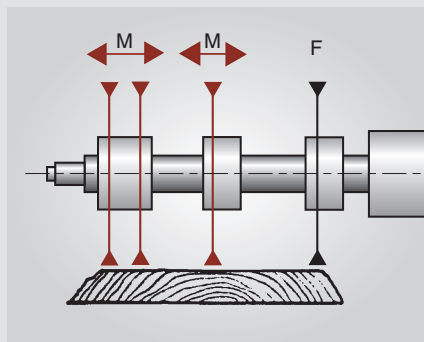
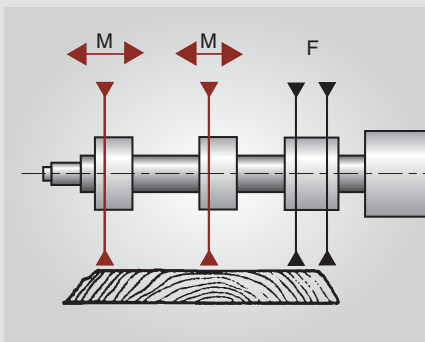
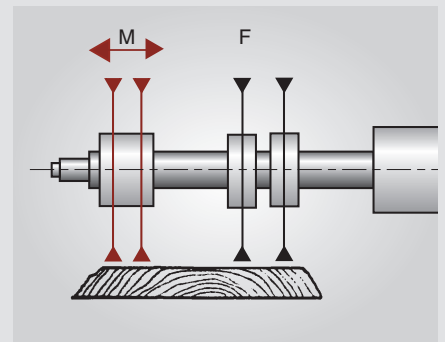
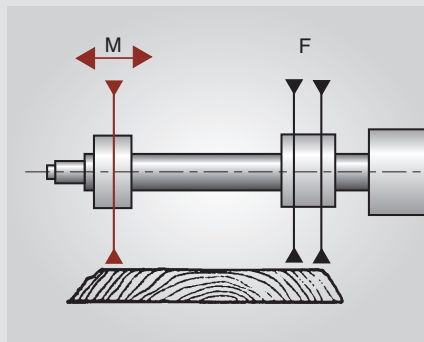
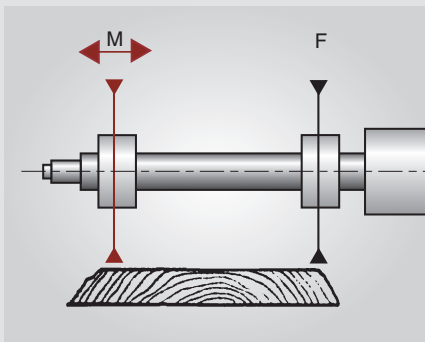


Conventional fixed blade set-up

Arbor set-ups

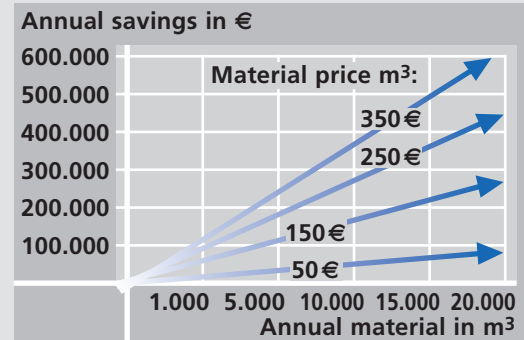
The graphics below show just a few of the many possible arbor set-ups.

F= fixed blade
M= movable blade



RAIMANN moving blade technology: Optimum yield and maximum profit

With a conventional fixed arbor set-up, varying board widths, qualities and defects lead to material waste in the range of 8% on average. Depending on your requirements, up to 6 movable saw blades guarantee the optimum set-up for the inbound material and help to maximize yield, reducing costs and maximizing profit. Rip what you want, in the right quantity, when you need it.



**Savings potential with
moving blade technology**

Application examples:

- 1 Edging
- 2 Ripping to width
- 3 Isolating defects
- 4 2-pass ripping



Moving blade controls

- Foot pedal and digital display of the variable dimension
- Proficut touch screen, select pre-programmed sizes with the touch of a button
- Semi-automatic operation with the built-in PLC-based optimizer RipAssist (manual width measurement by laser, automatic optimizing)
- Semi-automatic operation with TimberMax software (operator measures board manually)
- Fully-automatic operation with scanner (scanner measures board and detects board defects)



RAIMANN ProfiRip KM 310 and KM 310 M: Entry-level machines with full optimizing capability

Even RAIMANN's entry-level saw is an extremely strong player as an optimizing rip saw. With up to 120 mm cutting height, feed speed up to 35 m/min and excellent material yield. Reliable continuous performance with superior cutting quality. RAIMANN's patented Quickfix arbor ensures rapid change-overs. Simple to use and flexible ripping for today's just-in-time production requirements. With moving blade(s), Proficut controls and RipAssist optimizing software, variable widths and pre-programmed widths (cut-lists) can be ripped in the right quantity, at the right time while achieving the best yield.



RAIMANN ProfiRip KR 310 and KR 310 M: Robust production machines



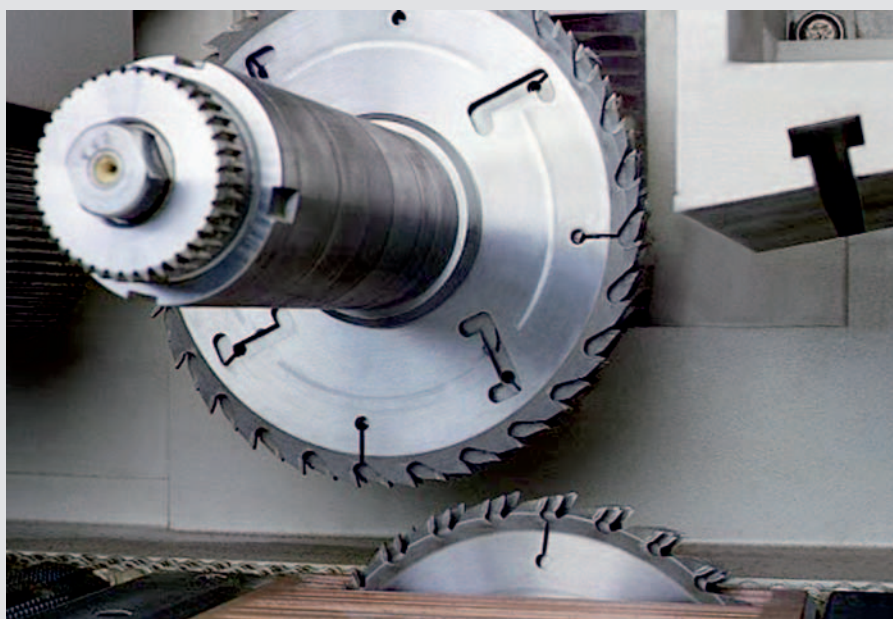
A strong production platform, whether as a gang rip saw or an optimizing rip saw. A well-equipped basic machine as standard, with many intelligent options. Robust construction and a solid pressure unit are the foundation for best possible material transport and cutting quality. With the right blades you can achieve a glue-joint quality cut right here at the rip saw. These extraordinarily strong machines can handle the toughest material. Even thickness variances in the material are no problem.

RAIMANN ProfiRip KR 390 / KR 450 / KR 610 and KR 390 M / KR 450 M / KR 610 M: Highest performance with intelligent technology

Three power houses for the most demanding modern production. Ideal for applications requiring cutting heights up to 140 mm and cutting widths up to 390 mm, 450 mm and 610 mm respectively. With up to 6 movable blades, these machines provide the utmost flexibility and yield. With feed speed up to 80 m/min., these rip saws stand for high performance, flexibility and productivity.



RAIMANN ProfiRip KRD 310: Innovative double arbor rip saw

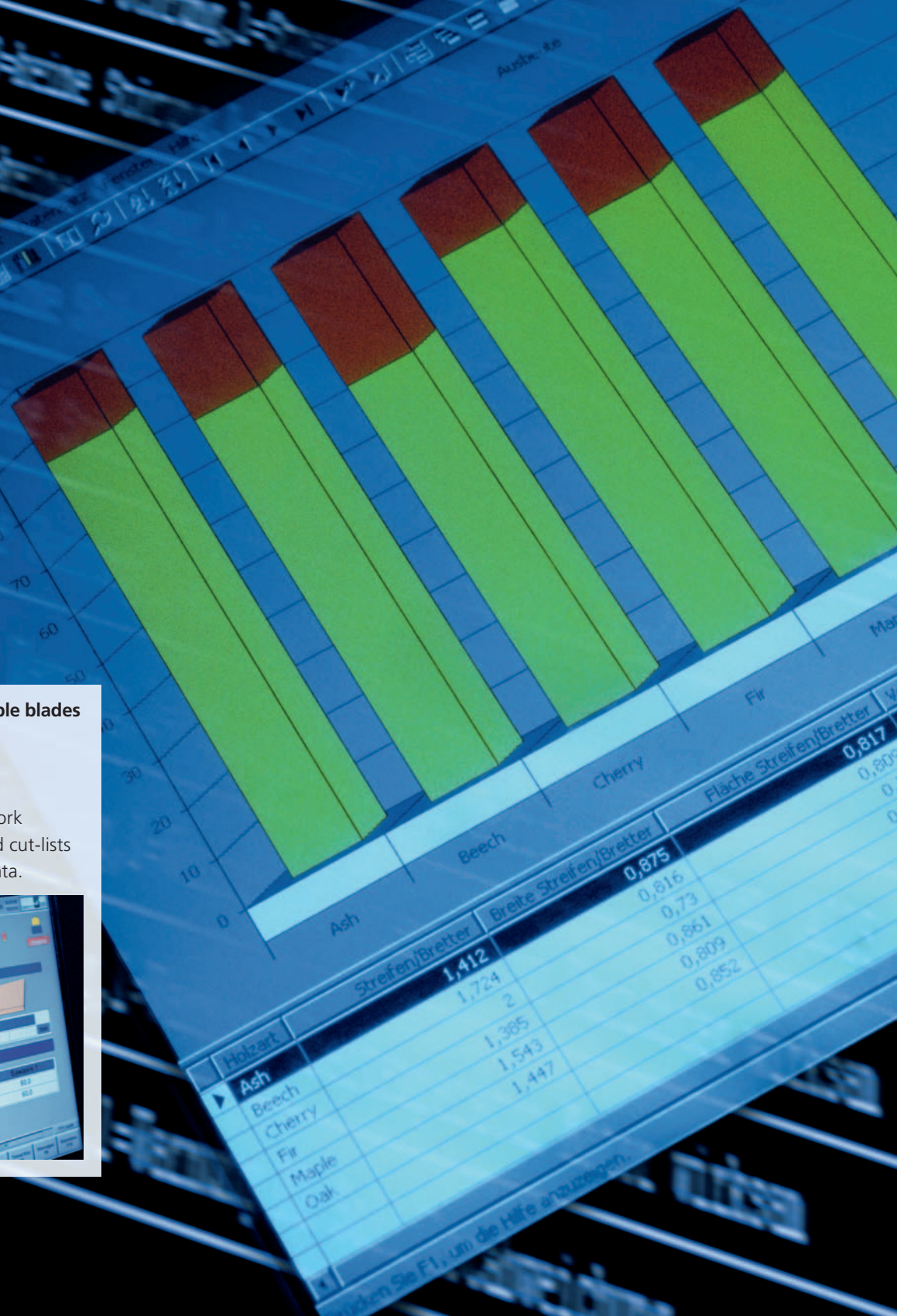


The KRD 310 uses the narrowest kerf saw blades ensuring best possible yield. This machine is ideal for cutting material up to 180 mm thick. With its accurate material transport, a precise cut is guaranteed.

Raimann software for movable blades

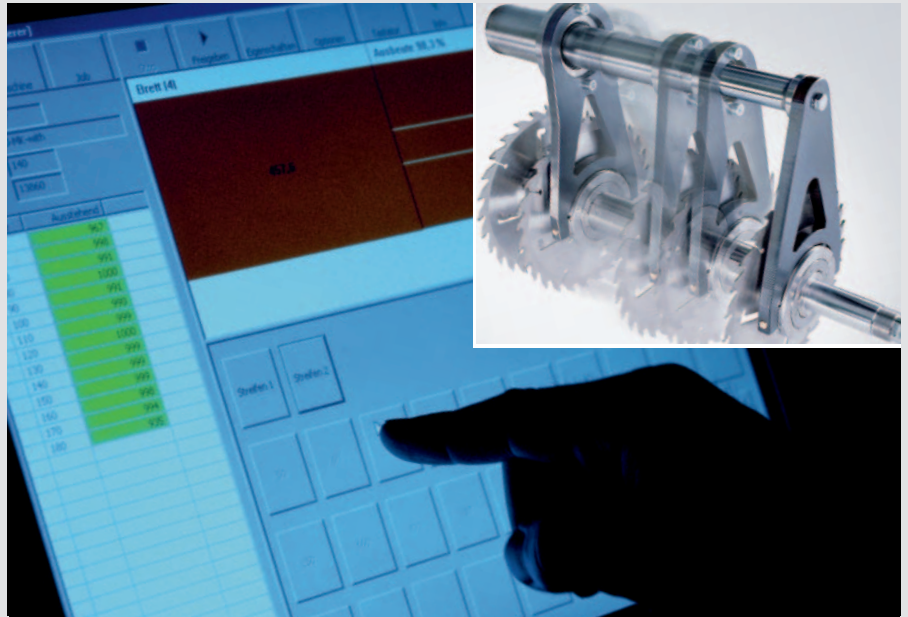
- Proficut
- Mastercut
- TimberMax

These controls allow you to work through your pre-programmed cut-lists and record your production data.



ProfiRip with RipAssist or TimberMax optimizing software: Automatic blade positioning for optimum yield

With RipAssist or TimberMax optimizing software it is easy to get the ideal arbor set-up for each and every board. Measure the board and the optimizing software does the rest automatically. RipAssist is an optimizing program that calculates the best possible blade positioning based on the dimensions in the pre-programmed cut-list. In addition, TimberMax calculates the best possible blade position based on the board quality and provides extensive production data.

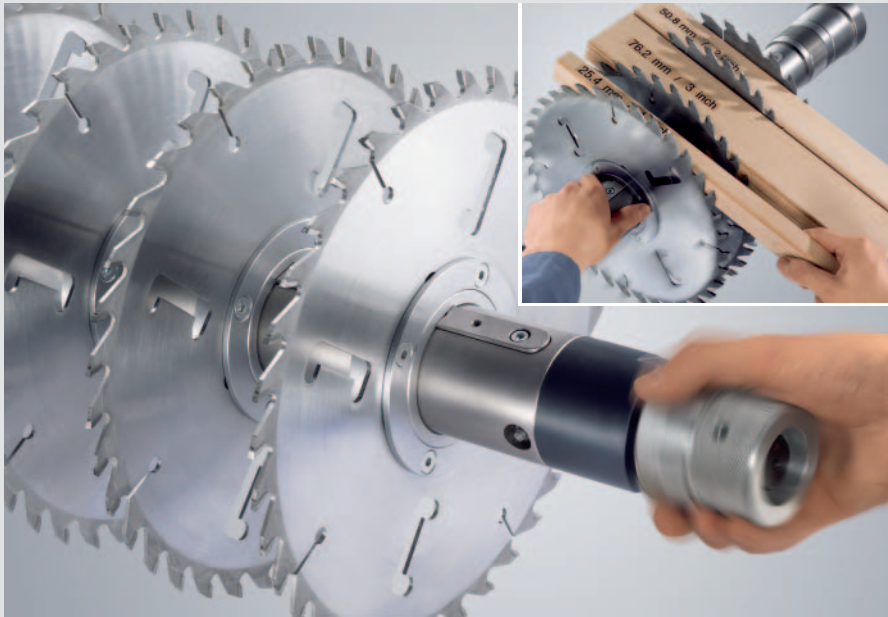


ProfiRip with moving pressure shoe system: Optimum material guiding and cut quality



The moving pressure shoe segments, synchronous with the moving blades, ensure superior board control during the cutting process. Even outer edges are securely held down during ripping and transported safely out of the machine. Ripped pieces cannot lift up, so throughput is not interrupted. Optimal material hold-down means better quality of cut.

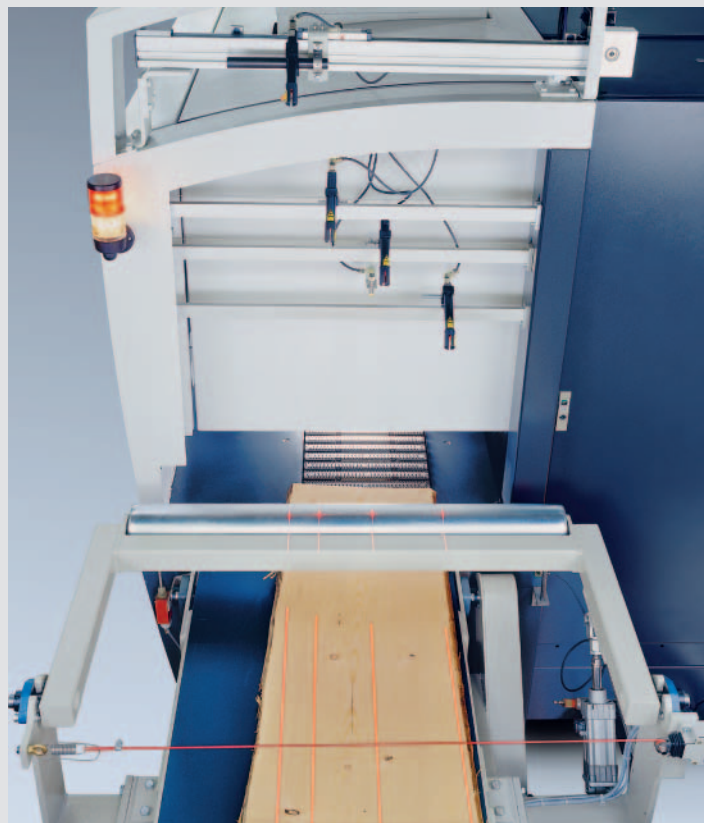
ProfiRip with Quickfix: Minimal set-up times

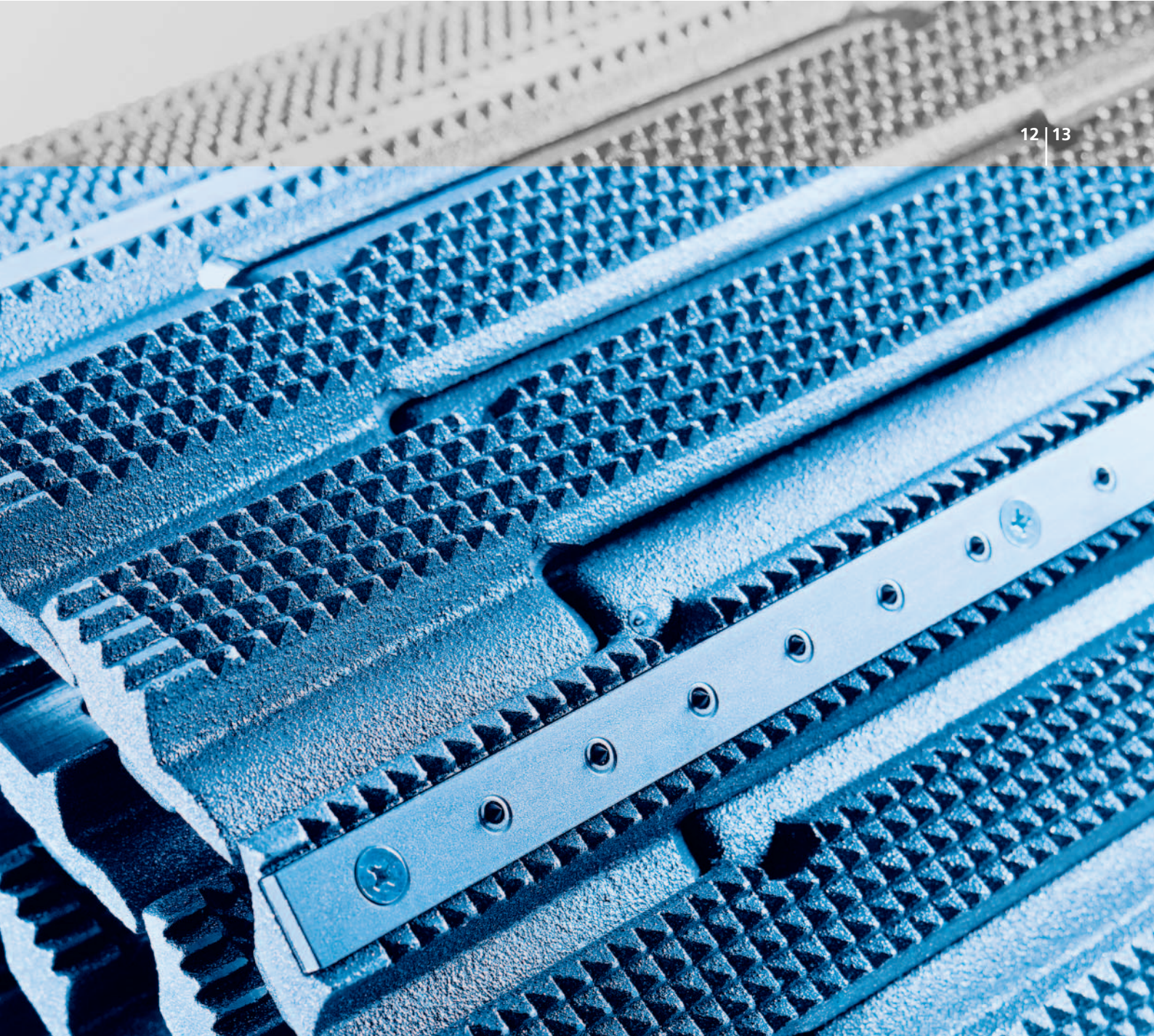


Less set-up, more ripping! With RAIMANN's patented Quickfix saw arbor system, saw blades can be clamped directly on the arbor (minimal dimension between blades is 25 mm). No sleeve, no spacers, no tools! All saw blades are easily adjusted by hand. The result: flexible ripping, huge timesavings. Set-up in less than a minute!

ProfiRip with lasers: Rip what you see

The lasers show the solution directly on the board. Intelligent technology for the best possible rip results and increased yield. You can mount as many lasers on the rack as you have blades on the arbor.

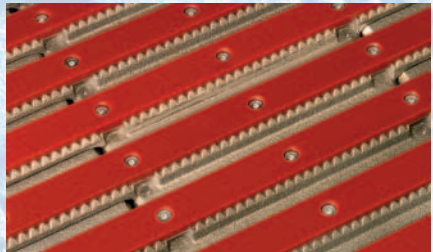




ProfiRip with RAIMANN chain system: Reliable, accurate transport

Spikes guarantee accurate transport of the material through the machine. Consistent guiding of the material, lon-

ger blade life, precise cut. Alternatively, non-marking rubber inlays.



Transport chain is extended beyond machine frame for easy feeding.

Parallel prism guides.

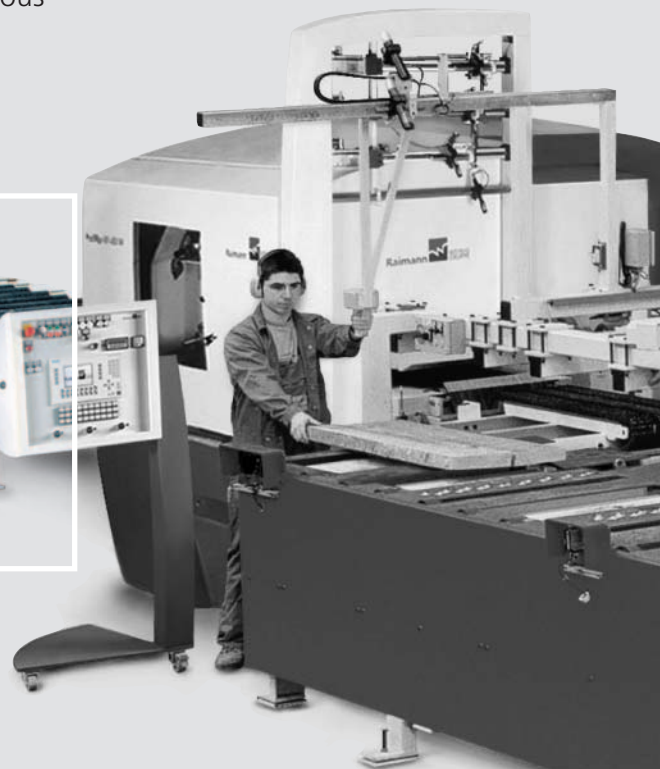
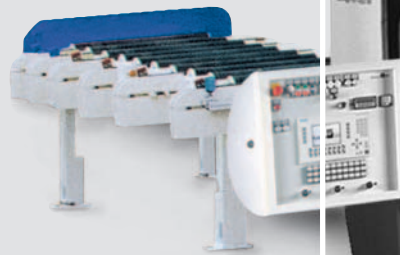
Solid cast iron chain in closed link construction.

RAIMANN offers the complete package: RaiMech – intelligent material handling

Upgrade your ProfiRip to a high performance system. We provide economical system solutions around your machines. Our system components are modular and scalable. You get reliable continuous performance.

RaiMech outfeed

Models from A1 up to A8 for transporting, buffering and return conveying material. Also interfaces with subsequent equipment such as optimizing chop saw or moulder.



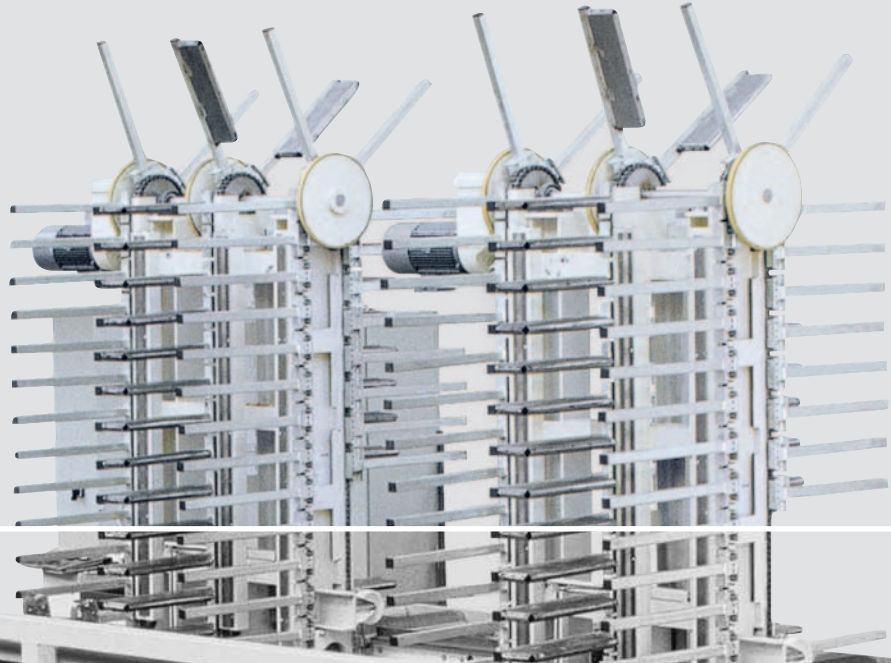
Custom system components

Whether you need infeed or outfeed mechanization, we offer user-friendly solutions to improve your efficiency and increase your production.

- De-stackers
- Singulators
- Board measuring stations (manual or automatic)
- Waste separation systems for unedged material or for separating material for re-rip
- Buffers for quality control and consistent feeding
- Cross-conveyors and buffer conveyors
- Crosscut saws
- Transfer stations
- Stacking systems

Special mechanization

to complement the system, e.g. removal from stacker systems, scanner. Custom material handling to connect all components of the system.

**RaiMech infeed**

Models from E1 up to E7 for measuring, transporting, and feeding material to the saw. Also interfaces with preceding equipment such as chop saw or stacker.

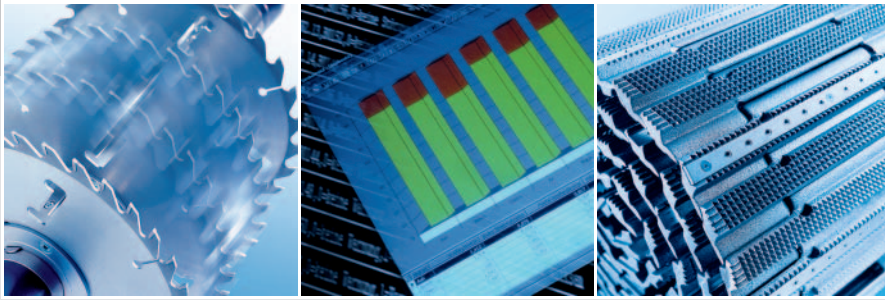
ProfiRip technical data

Standards and options

This table shows the basic differences between the models.
For more specific information about your individual needs,
please contact your RAIMANN consultant.

	ProfiRip KM 310 (M)	ProfiRip KR 310 (M)
Max. cutting width	310 mm	310 mm
Chain width	340 mm	340 mm
Max. movable saw blades	2	2
Max. throat width, standard (option)	650 mm (1,000 mm)	800 mm (1,150 mm)
Max. cutting height with sleeve		
with pressure shoe	105 mm	115 mm
without pressure shoe	120 mm	130 mm
Max. cutting height with movable blade		
with pressure shoe	90 mm	100 mm
without pressure shoe	105 mm	115 mm
Min. material length with pressure shoe	650 mm (400 mm)	450 mm (300 mm)
Max. feed speed, standard (option)	35 m/min	48 m/min (80 m/min)
Motor capacity, standard (option)	22 kW (37 kW)	22 kW (90 kW)
Number of pressure rollers, standard (option)	2 (3)	4 (5)
Positioning speed of moving blades, standard (option)	55 mm/sec	75 mm/sec (165 mm/sec)
Saw blade diameter, min./max.	250 mm / 360 mm	250 mm / 380 mm
Machine weight	2080 kg	3400 kg
Machine dimensions – length x width x height	1.9 x 1.5 x 1.9 m	2.2 x 1.9 x 2.0 m
Working height	850 mm	850 mm
Diameter of dust port	250 mm	300 mm
Required suction speed	30 m/sec	30 m/sec
Required suction volume	5,300 m ³ /h	7,630 m ³ /h
Quickfix	○	○
Proficut controls	○	○
Mastercut controls	—	○
Pneumatic pressure system	—	○
Motorized adjustment - saw arbor height	○	●
Motorized adjustment – pressure unit height	○	●
High performance chain with hardened inserts	○	○
Spikes	○	○
Lasers – moving blade ripsaw	●	●
Lasers – fixed gang rip saw	○	○

Subject to technical modifications. Statements and pictures in this brochure may also include optional extras which are not included in the standard serial equipment. Some of the p



ProfiRip KR 390 (M)	ProfiRip KR 450 (M)	ProfiRip KR 610 (M)	ProfiRip KRD 310
390 mm	450 mm	610 mm	310 mm
430 mm	470 mm	630 mm	330 mm
3	4	6	—
800 mm (1,150 mm)	800 mm (1,150 mm)	960 mm (1,110 mm)	770 mm
125 mm	125 mm	125 mm	180 mm
140 mm	140 mm	140 mm	180 mm
110 mm	110 mm	110 mm	—
125 mm	125 mm	125 mm	—
500 mm (300 mm)	500 mm (300 mm)	500 mm (320 mm)	700 mm
48 m/min (80 m/min)	48 m/min (80 m/min)	48 m/min (80 m/min)	50 m/min
22 kW (90 kW)	30 kW (110 kW)	55 kW (110 kW)	2 x 37 kW (2 x 75 kW)
4 (6)	4 (6)	4 (6)	4
75 mm/sec (300 mm/sec)	75 mm/sec (300 mm/sec)	300 mm/sec	—
250 mm/400 mm	250 mm/400 mm	250 mm/400 mm	bottom 250/300 mm top 250/350 mm
4400 kg	4500 kg	5700 kg	7500 kg
2.2 x 1.9 x 2.0 m	2.2 x 2.5 x 2.0 m	2.2 x 2.7 x 2.0 m	2.6 x 2.0 x 1.8 m
850 mm	850 mm	850 mm	850 mm
300 mm	300 mm	350 mm	350 mm
30 m/sec	30 m/sec	30 m/sec	30 m/sec
7,630 m³/h	7,630 m³/h	10,400 m³/h	10,400 m³/h
—	—	—	—
○	○	—	—
○	○	○	—
●	●	●	○
●	●	●	●
●	●	●	●
●	●	●	—
○	○	○	○
●	●	●	—
○	○	○	○

photos show the machine with the protective covers removed.

● Standard

○ Option

You can expect a lot from us: WEINIG GROUP – Your partner for the future

You can concentrate on your business, let us do everything else! The WEINIG GROUP is not only the leading manufacturer for the solid wood processing industry, we lead this industry in technology and ideas! WEINIG offers comprehensive services and system solutions – all the way to complete turnkey production plants – making the WEINIG GROUP the all-around ideal partner where the focus is always on flexible, profitable production.



The WEINIG ExpoCenter

In our ExpoCenter we can demonstrate to you how our top technology can benefit your operation. Here you can get a close-up view of all our machines.



Training

We want to see you get the maximum benefit from your investment as fast as possible. World-class WEINIG training takes care of that. Effective operator training classes taught by experienced WEINIG experts make sure that the machine will be fully productive within the shortest time frame.



Kaizen

WEINIG's own manufacturing process is successfully organized according to the Kaizen method. In a continuous improvement process, quality and efficiency are increased step by step. You can benefit from this at your plant: Via seminars, we will gladly pass on to you our many years of experience.



Service

With sales and service companies located on all continents and a large, mobile team of service technicians, we guarantee a worldwide service that is unique in the industry. Fast spare parts delivery everywhere and employees who speak your language are part of our reputation for the finest customer support anywhere.

**WEINIG**

World market leader
for automatic moulders

WACO

The No. 1 for high-speed
planers and moulders

GRECON

High-capacity finger
jointing lines

DIMTER

The specialist for
optimizing cross-cut
saws and laminating
presses

RAIMANN

Top technology for
length cutting

CONCEPT

The experts when it
comes to turnkey projects

The WEINIG GROUP: We make all the components of solid wood processing fit together seamlessly

Including full turnkey production plants

To build innovative machines is one thing, to offer complete system solutions is quite another. More and more often, however, our customers want an entire factory, including many different types of machines, from many different manufacturers, but want ONE responsible partner. Then, we involve our WEINIG CONCEPT team. They are top-notch specialists from every segment of

the woodworking processes. They handle everything from the initial planning to the turnkey production plant. Worldwide. With complete responsibility. For you.

A strong team

Each member of the WEINIG GROUP is a leader in its own field of wood processing. This creates market synergy, and you, our valued customer, are the beneficiary of this partnership.



RAIMANN ProfiRip Series



Production:

RAIMANN Holzoptimierung
GmbH & Co.KG
Weisserlenstr. 11
79108 Freiburg
Germany

Phone +49 (0) 7 61 / 1 30 33-0
Fax +49 (0) 7 61 / 1 30 33-17
E-mail info@raimann.com
Internet www.weinig.com

Sales:

MICHAEL WEINIG AG
Weinigstr. 2/4
97941 Tauberbischofsheim
Germany

Phone +49 (0) 93 41 / 86-0
Fax +49 (0) 93 41 / 70 80
E-mail info@weinig.de
Internet www.weinig.com